

Insertion / Extraction Tools



Fixed insertion tool for receptacles

This tool allows the receptacle to be inserted at a fixed height, either at board level or raised a few millimeters. The insertion tool has to be chosen according to the receptacle diameter.

Adjustable insertion tool for receptacles

The adjustable insertion tool allows to place the receptacle at variable depths in order to modulate the final Spring Probe installation height. The insertion tool has to be chosen according to the receptacle's diameter.

Insertion tool for Spring Contact Probes

To guarantee a precise and secure insertion of spring contact probes into the receptacle and to avoid damaging or bending/twisting of the test probes, we recommend to use the dedicated tool, available in different sizes depending on the probe's specifications.

Extraction tool for receptacles

Extracting a receptacle from a fixture could be quite complicated due to the limited space and the risk of damaging other receptacles or test probes. Extraction tools makes this operation quick and easy. The correct extraction tool should be chosen according to the receptacle's diameter.

Extraction tool for Spring Contact Probes

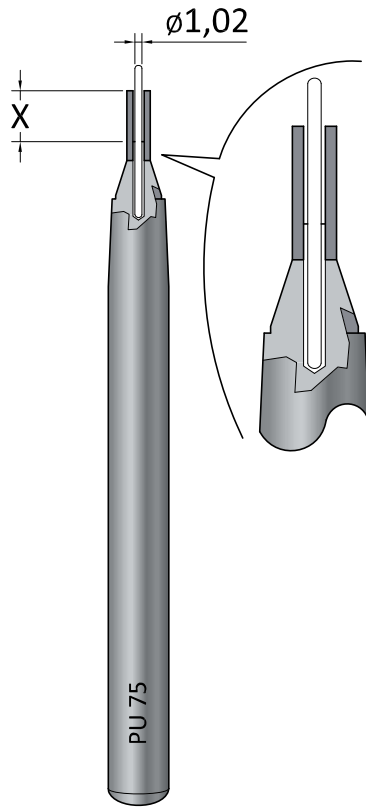
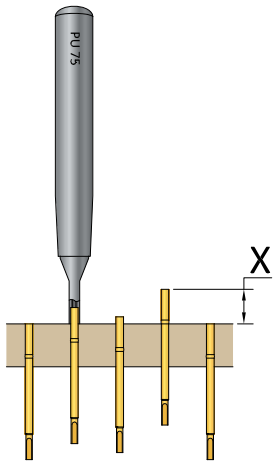
By using this tool, extraction of a spring probe can be very easy and fast, allowing replacement of test probes at the end of the working cycle or for maintenance. According to the test probe specifications there is a matching tool to use for safe and precise removal.

Tools

Receptacles insertion tools 50 - 75 - 100 mils

Available Tool Size

Series	Insertion height	∅ Pin
PU 50	X	0,74
PU 75	X	1,02
PU 100	X	1,37



Fixed insertion tool

All receptacles with press ring can be inserted with this tool. In this case the X is the fixed height level. This value is required for ordering the correct tool.

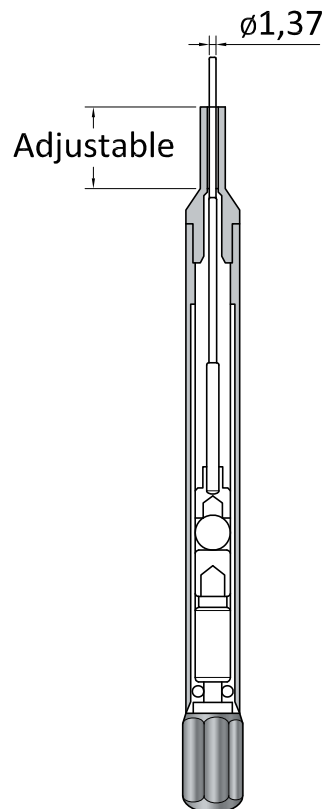
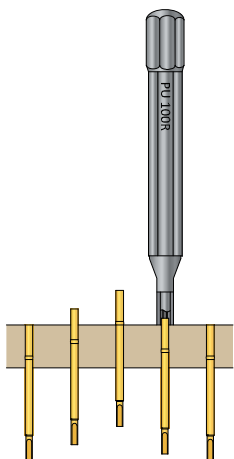
Ordering example:

Series	Insertion height X	Probe type
PU 75	7,62	GLP 1L

Insertion height X required [mm]

Available Tool Size

Series	Insertion height	∅ Pin
PU 50R	0 - 10	0,74
PU 75R	0 - 12	1,02
PU 100R	0 - 12	1,37

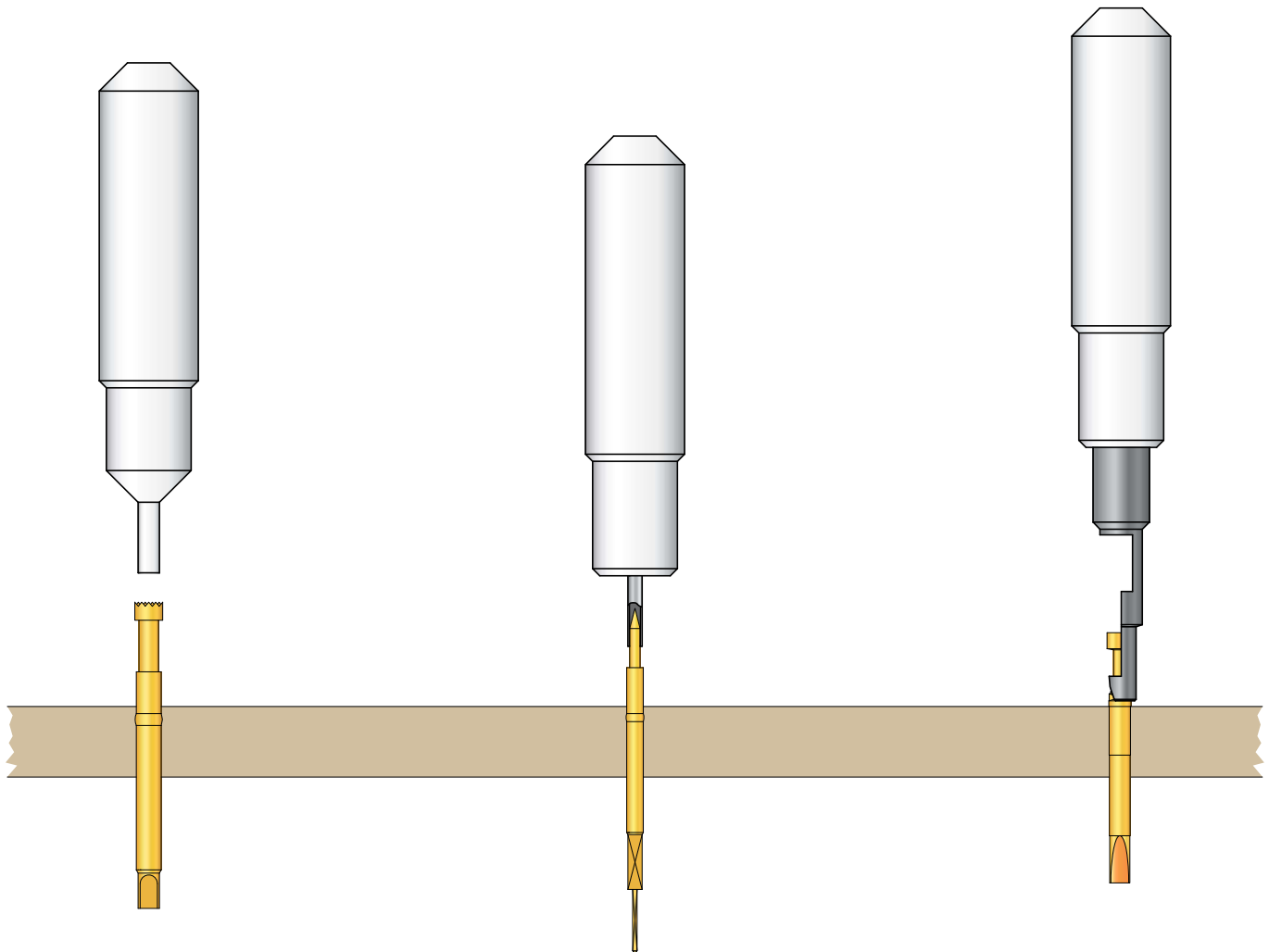


Adjustable insertion tool

If you need to place receptacle at different installation heights, an adjustable insertion tool is recommended. This tool allows to set and change the installation height value quickly and easily.

Ordering example:

Series
PU 100R



IPP

Probe inserter with head. It's made of plastic and it prevents damages of the plungers tips.

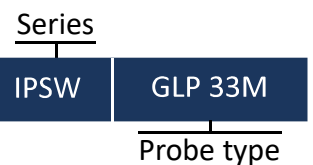
IPT

Insertion tool for probes with head diameter equal or smaller than the plunger's diameter. The tool pushes on the probe's barrel.

IPSW

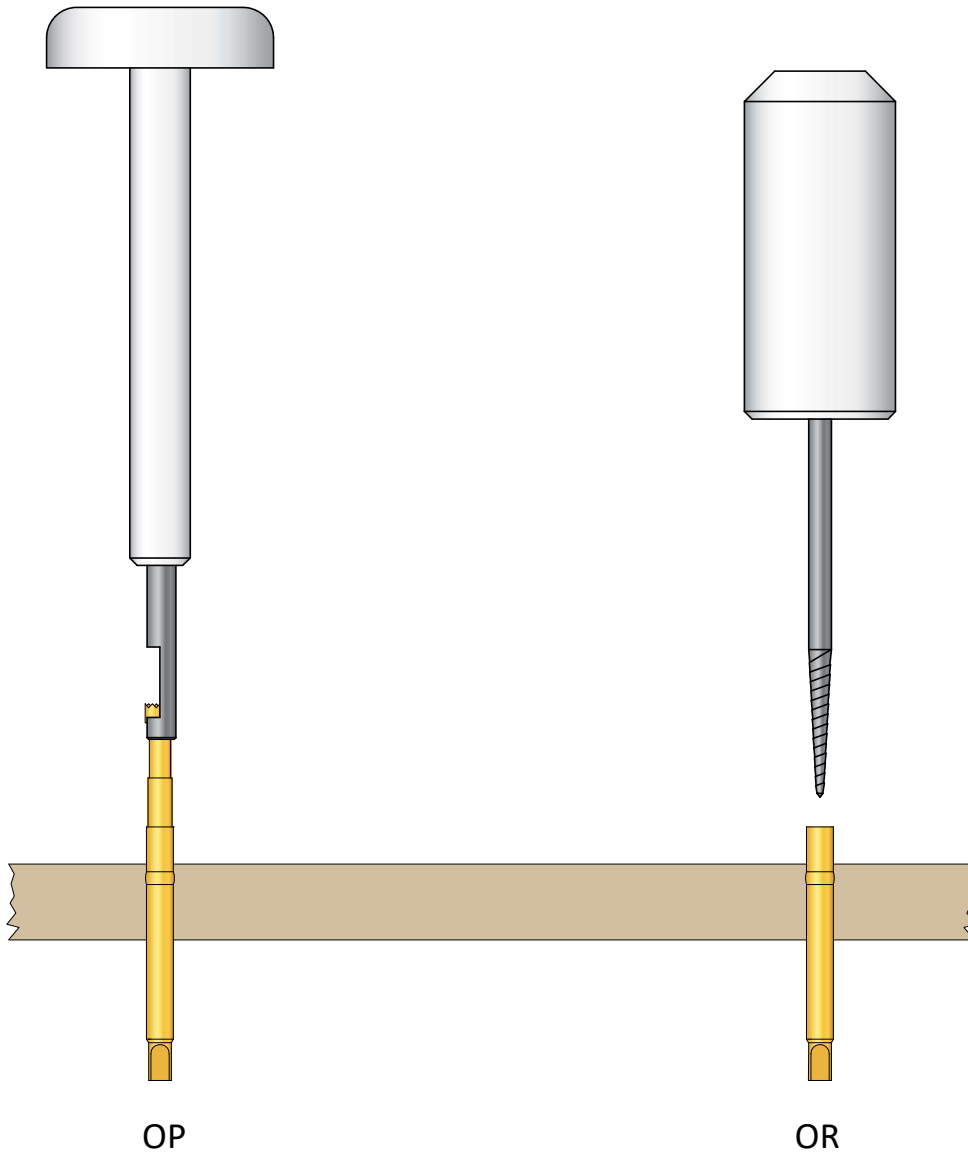
Screwdriver for Screw-in probes. This tool is standard for all probes with square wrench even if the head diameter is larger than the nut size.

Ordering example:



Tools

Probes and receptacles extractor tools



Extractor tool suitable for all probes with head.

Screw the tool into the receptacle and pull out. With this extraction tool receptacles can be removed quickly, avoiding risks of damaging the support. This tool is especially useful to remove broken receptacles or in case the receptacle cannot be pushed out from the back.

Ordering example:

Series	
OR	GLR 5
Probe type or Receptacle type	